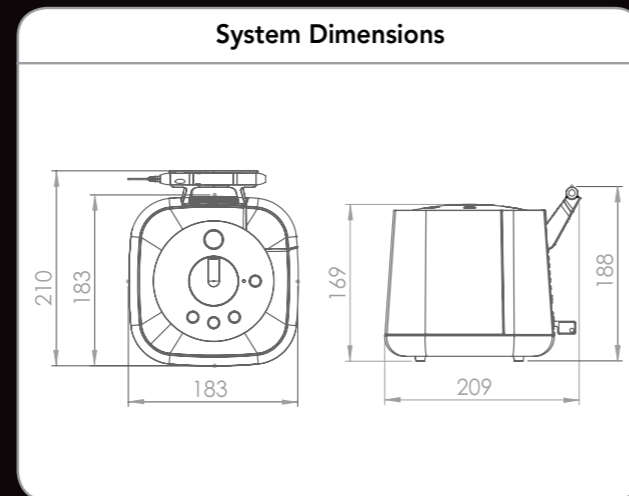


Technical Specifications	
Name Laser Classification	D-Touch™ Class IV
laser Output Laser Type Wave length Max Output power Output type Pulse frequency range Pulse duration range Spot size distal @ tip end	Diode 980nm 7W 4 Pulse types, CW 10Hz-10KHz 25µs – 10ms 0.3-0.8 (tip dependent)
Electrical Requirements Protection Against Electric Shock:	100V-240V AC (50-60Hz) 90W Class I, Type BF Applied part
System Dimensions (W x L x H)	183x210x188 mm
System Cooling Method	TEC and Air cooling
System Weight	Approx. 5 lbs 2.3 Kg
Environmental Requirements Operating temperature Recommended room temperature Storage cooling system Relative humidity	10°C-35°C 20°C-30°C (-)10°C-60°C 10% to 75 % none condensing



LIGHT INSTRUMENTS
RISE ABOVE TECHNOLOGY



Light Instruments Ltd.

Light Instruments Ltd. is the world's leading provider of next generation dental laser technology for hard and soft tissue treatments. In 2007, Light Instruments introduced its revolutionary and innovative Laser-in-Handpiece™ technology as part of its flagship LiteTouch™ product, the world's most versatile non-fiber, Er:YAG dental laser device. The Laser-in-Handpiece™ innovation has played a pivotal role in transforming the way practitioners perform dental treatments today.

Industrial Zone, P.O.B. 223, Yokneam Elite, Israel 2069200
Tel: +972-732563202, Fax: +972-732563214, Web: www.light-inst.com, E-mail: office@light-inst.com



D-TOUCH™

980nm Diode Dental Laser



D-TOUCH™

Clinical Applications:

Oral Surgery:

- Frenectomy and frenotomy
- Removal of benign lesions
- Gingivectomy and Gingivoplasty
- Incision and drainage of abscess
- Operculectomy
- Reduction of gingival hypertrophy
- Vestibuloplasty
- Hemostasis

Periodontics:

- Removal of diseased or inflamed soft tissue in the periodontal pocket
- Disinfection of the periodontal pocket

Implantology:

- Treatment of peri-mucositis

Oral Pathology:

- Excisional and incisional biopsies
- Pain management
- Herpes
- Aphthas

Prosthetic Dentistry:

- Gingival troughing for crown impressions

Aesthetic Dentistry:

- Gingival aesthetic recontouring
- Gingival hyperpigmentation removal
- Tooth whitening

Endodontics:

- Pulpotomy
- Root canal disinfection

Your Gateway to the World of Laser Dentistry



Refine Your Surgical Capabilities

D-Touch™ is a 980nm Dental Diode Laser for a wide range of soft tissue treatments. Its superiority is in precise soft tissue surgery. When cutting soft tissue, the laser's hemostatic effect ensures a bloodless environment and a clearer view of the surgical site. D-Touch™ is also beneficial for Endodontic disinfection, Periodontal and Aesthetic treatments.

Precise Your Treatment

D-Touch™ has 4 pulse modes: Super Short, Short, Pulse, Long and a CW (Continuous Wave) mode. The Super Short and Short pulse modes enable the dentist to control the amount of laser energy used during the treatment in order to avoid overheating or damage to the underlying or surrounding tissue. These unique pulse modes correlate with the tissue relaxation time resulting in less heat accumulated in the target tissue. Using these modes increase the precision of the treatment, allowing fast recovery and healing of the treated tissue.

Plug and Lase

D-Touch™ is equipped with a variety of flexible and bendable fiber tips which come in different lengths and sizes, as well as an available Whitening tip and Bio-Stimulation tip. Designed to maximize the dentist's user experience, the D-Touch™ friendly user interface and defined pre-sets, make it an intuitive and easy-to-use laser device for every clinic.

